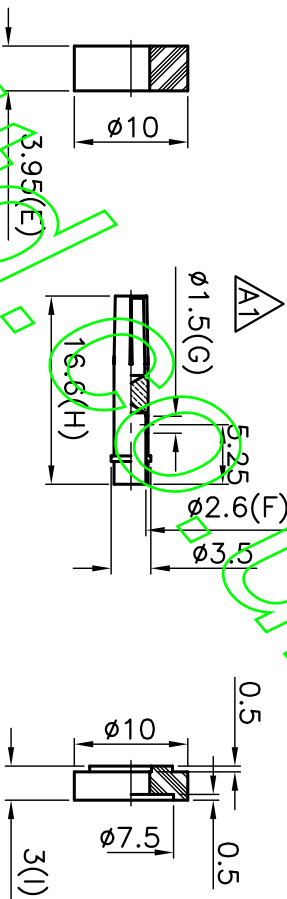
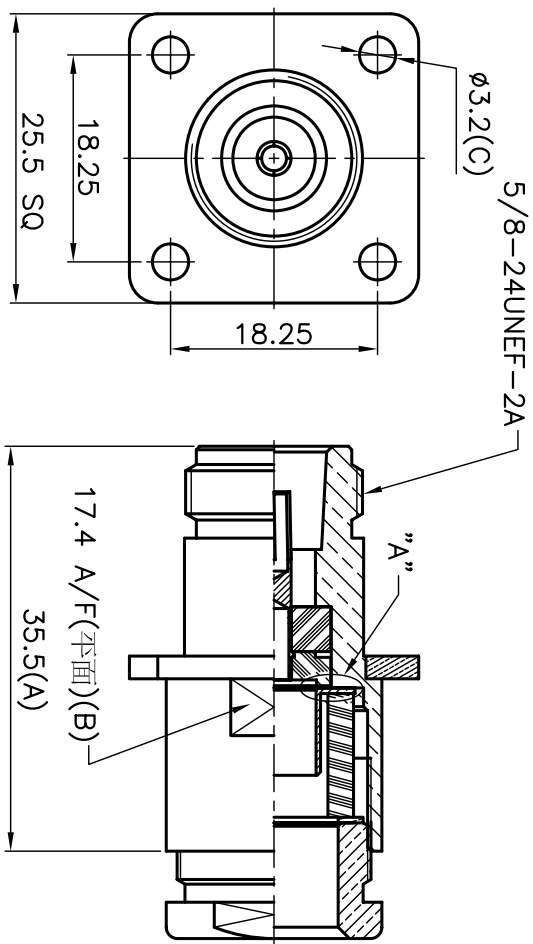


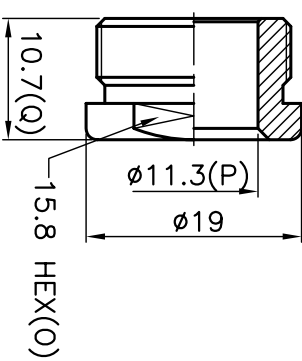
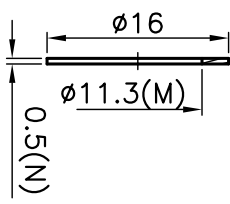
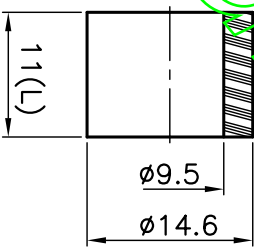
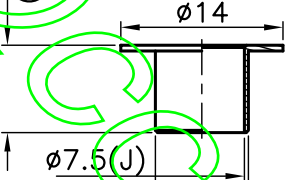
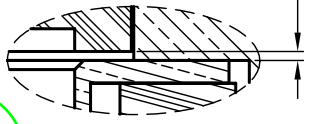
ISS	REVISIONS
A1	DESCRIPTION \ DATE
	中心孔SOLDER HOLE 1.0mm 改爲 1.5mm \ 03/21/12"

RoHS COMPLIANT



鐵弗龍低於主體

0 ± 0.8 (D)



CONNECTORS CABLES
BOSS
SPECIALISTS LTD.

TITLE: N FEMALE PANEL CLAMP
(FOR RG214)

PART NO: NPAJSC214

DR. NO:

030

SHEET: .

SCALE: 1.5/1

NO. DESCRIPTION

MATERIAL

FINISH

APRD:	UNLESS OTHERWISE SPECIFIED TOLERANCES
CHKD:	0.5-6 = ±0.2
DR:	>6-30 = ±0.4
	>30-120 = ±0.6
	>120-315 = ±1.0
	>315-1000 = ±1.6
	ANGLES = ±5°

UNIT: mm	NUT	BRASS	NICKEL
DATE: 03/21/12"	WASHER	BRASS	NICKEL
	GASKET	SILICONE	WHITE
	TOP HAT	BRASS	NICKEL
	INSULATOR	TEFLON	WHITE
	CONTACT PIN	PHOSPHOR BRONZE	GOLD
	INSULATOR	TEFLON	WHITE
	PANEL	BRASS	NICKEL
	BODY	BRASS	NICKEL
		MATERIAL	

ISO 9001 certificate